



Buy it for looks. Buy it for life.®

Specifications

SINK DESCRIPTION

- Manufactured of 18 gauge stainless steel
- The bowl is a minimum of 14.5" x 9.5" x 5"
- Has one 2.0" diameter recessed drain opening
- Soundshield undercoating maximizes sound deadening and inhibits condensation
- Silicone sealant not provided. Includes mounting bracket. Other standard mounting hardware not included

INSTALLATION

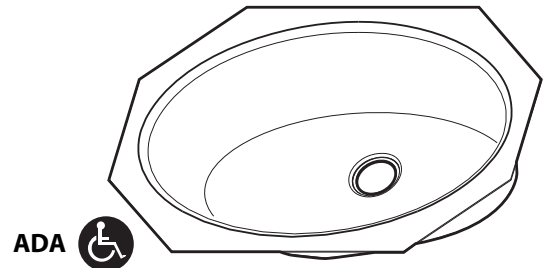
- Template enclosed with sink.
- Template ordering number 22503.

STANDARDS

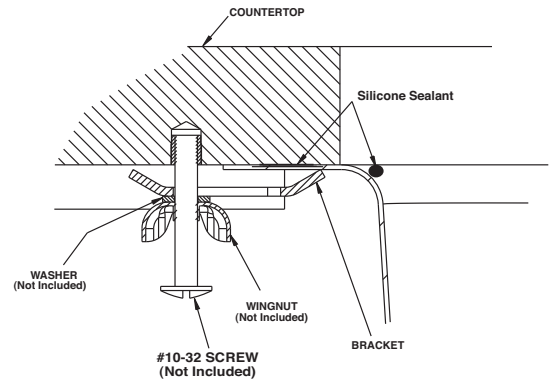
- Third party certified to ASME A112.19.3/CSA B45.4 and all applicable specifications referenced therein
- Suitable for an ADA  compliant installation

WARRANTY

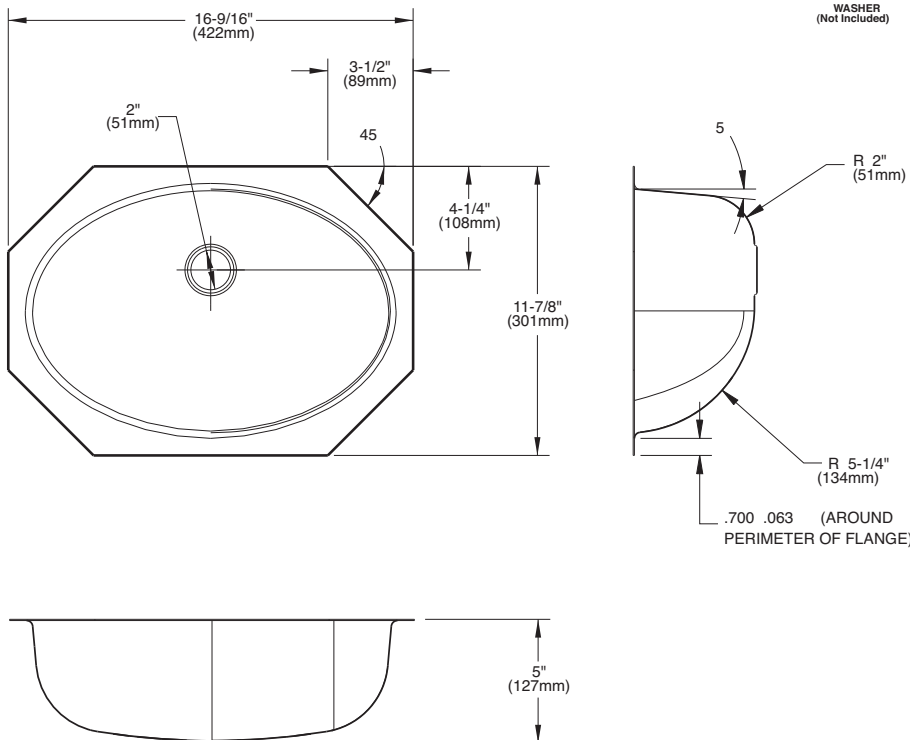
- Warranted for fifteen years against material or manufacturing defects



**Lancelot® Undermount
Single Bowl Sink
Model: 22349
(UMTL 12 x 16 - 5)
- DISCONTINUED -**



Installation Detail



CRITICAL DIMENSIONS

(DO NOT SCALE)